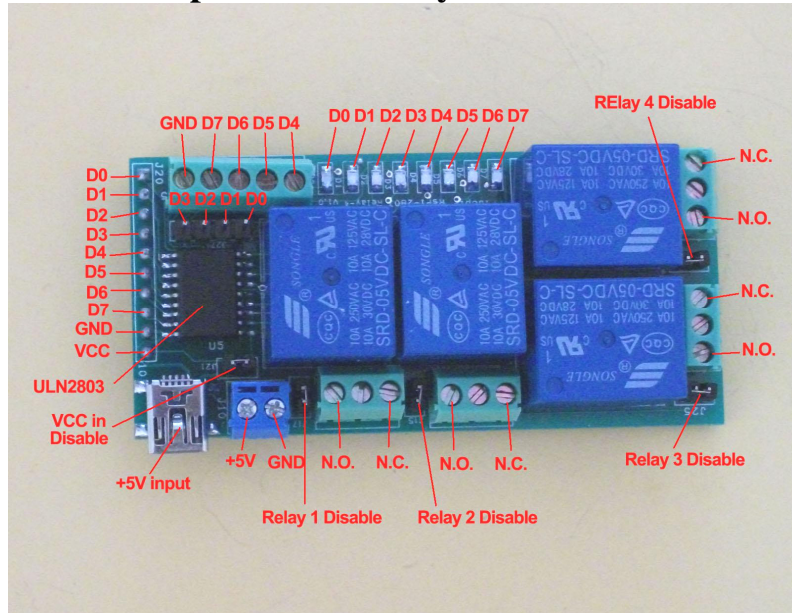


RsPi-8bit input 2803 4 Relay Board User Manual



1. J11 pin 1 to 10 (for signal input)
(D0, D1,D2,D3,D4,D5,D6,D7,GND,Vcc)
OUTPUT with D0~ D7 LED
D0,D1,D2,D3 control Relay 1,2,3,4
2. J10 & Mini USB for 5V input for Relay
3. J17 J15 J25 J24 Relay 1,2,3,4 Disable
Plug-in - enable, remove - disable
4. J21 Vcc input Disable from J11
Plug-in - enable, remove - disable

ULN2803 can use RS-Pi pin 11,12,13,15,16,18,22,7 as
GPIO 0 to GPIO 7 for input

<https://pypi.python.org/pypi/RPi.GPIO> GPIO library

GPIO library - RPi.GPIO-0.5.3a.tar.gz

Install python , library and run the test program

```
# sudo apt-get install python-dev
```

```
# wget http://www.pridopia.co.uk/pi-pgm/RPi.GPIO-0.5.3a.tar.gz
```

```
# gunzip RPi.GPIO-0.5.3a.tar.gz
```

```
# tar -xvf RPi.GPIO-0.5.3a.tar
```

```
# cd RPi.GPIO-0.5.3a
```

```
# sudo python setup.py install
```

TEST

```
# sudo python xxx.py ( xxx.py is test program)
```

Package Content

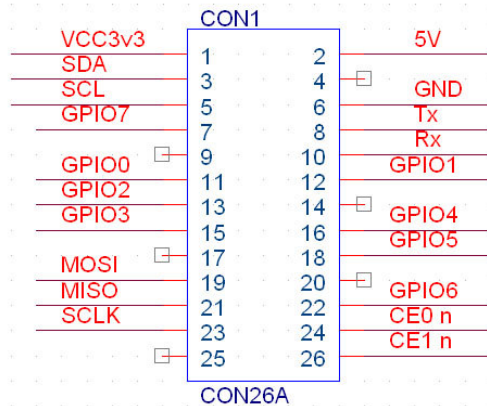
1x Rs-Pi 8bit input 2803 4 Relay board

1x Manual

Demo Python program

<http://www.pridopia.co.uk/pi-2803-8relay.html>

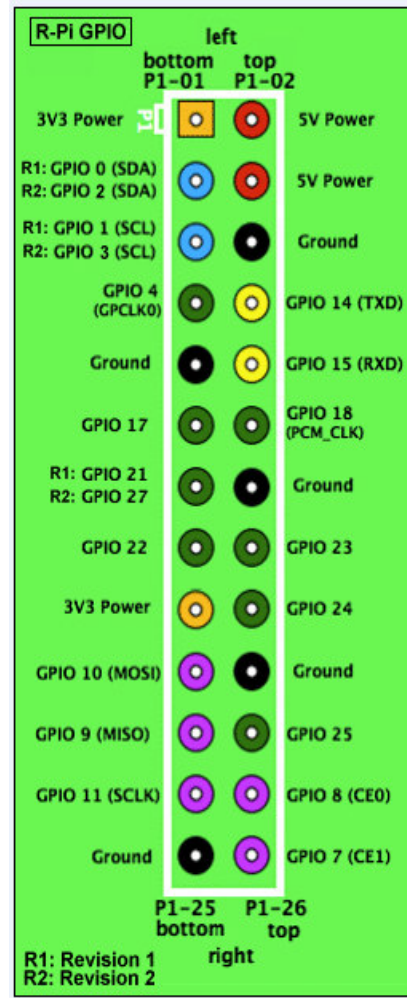
8Relay.py



```

192.168.0.8 - PuTTY
Relay 1 (17) [ ON]
Relay 2 (18) [OFF]
Relay 3 (27) [ ON]
Relay 4 (22) [OFF]
Relay 5 (23) [OFF]
Relay 6 (24) [ ON]
Relay 7 (25) [OFF]
Relay 8 (4) [ ON]
(1-8) >

```



8Relay.py demo

Scratch interface software download

<http://www.pridopia.co.uk/rs-pi-set-scratch.html>

- Example :
1. G17out g27out (g17,g27 LED on off)
Delay 1 sec
 2. G17on g27off
Delay 2 sec
 3. G17off g27on
Delay 2se
 - 4 . goto step 2

example Program g17-g27demo.sb g17-g27demo.py

