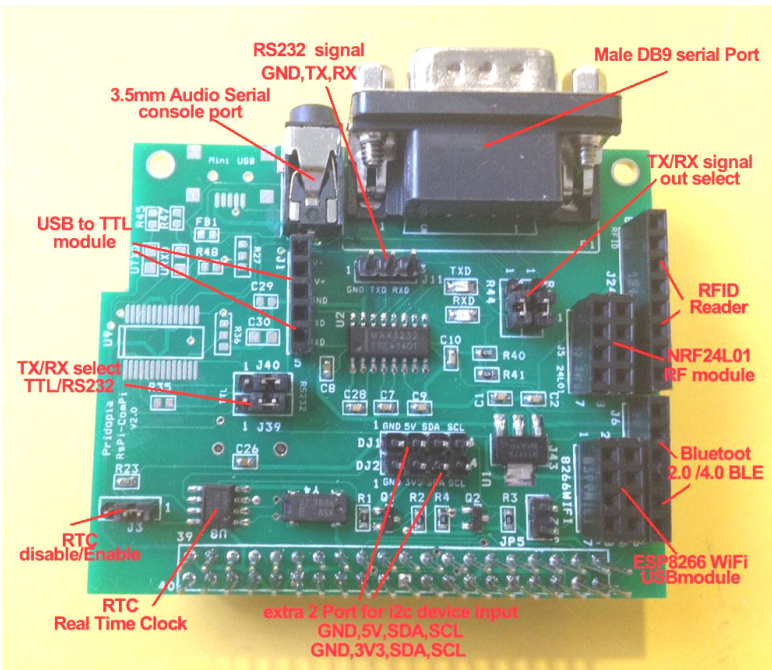


Rs-Pi RTC & COM Port board User Manual



Raspberry Pi - RS232 COM & Serial console Board

1. provide DB9 male COM port
2. provide i2c DS1307 RTC with CR1220 bauk-up battery
3. provide RFID socket (SPI signal) / NRF24L01 socket (SPI signal)
you can choose use RFID or NRF24L01 (both use SPI signal)
4. Provide 2 extra i2c device input port, one for 3.3V, one for 5V (with Logic Level converter)
5. provide 3.3V power Regulator for 3.3V device (RFID/ NRF24L01) i2c device
6. provide 3.5mm serial console cable socket,
7. provide jumper setting can change 3.5mm output TX, RX position.

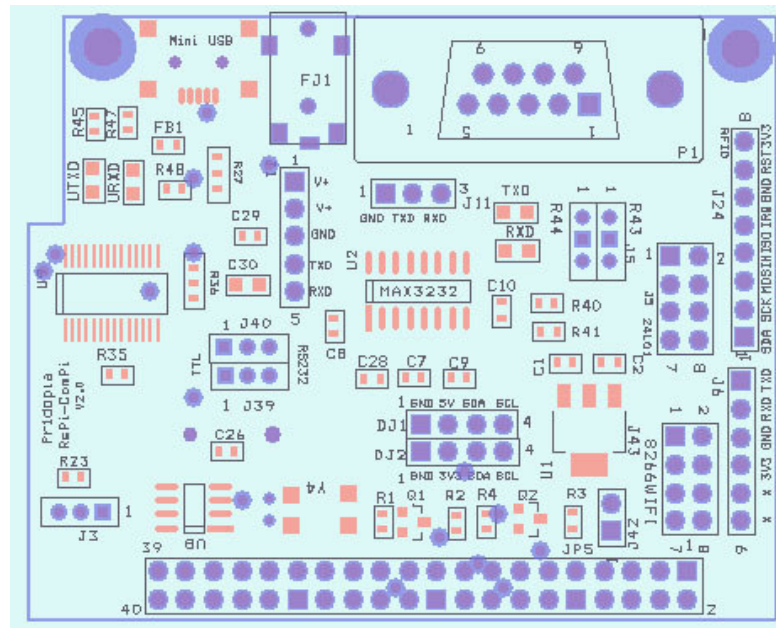


First Install battery for RTC , " + " mark on top

RTC DS1307 - 68 in i2cdetect -y 0 or
i2cdetect -y 1 for Rs-Pi V2 you will see 68 in the
screen 68 -> RTC DS1307

This requires a Raspberry Pi running a
kernel with the RTC module and DS1307

module included.



```

COM37 - PuTTY
# /etc/modules: kernel modules to load at boot time.
#
# This file contains the names of kernel modules that should be loaded
# at boot time, one per line. Lines beginning with "#" are ignored.
# Parameters can be specified after the module name.

snd-bcm2835
spi-bcm2708
i2c-bcm2708
i2c-dev
tmp102
rtc-ds1307

```

Then you'll want to create the DS1307 device creation at boot, edit /etc/rc.local by running **sudo nano /etc/rc.local**

and add **echo ds1307 0x68 > /sys/class/i2c-adapter/i2c-0/new_device** before **exit 0**

```

COM37 - PuTTY
GNU nano 2.2.6 File: /etc/rc.local
#
# By default this script does nothing.
#
# Print the IP address
_IP=$(hostname -I) || true
if [ "$_IP" ]; then
    printf "My IP address is %s\n" "$_IP"
fi
echo ds1307 0x68 > /sys/class/i2c-adapter/i2c-0/new_device
echo tmp102 0x48 > /sys/class/i2c-adapter/i2c-0/new_device
exit 0

```

The necessary settings are:

- **Speed: 115200 baud** **Data bits: 8** **Stop bits: 1**
- **Parity: None** **Flow control: None**

```

COM13 - PuTTY
[ 12.098988] Adding controls ..
[ 12.104479] Registering card ....
[ 12.118146] bcm2835 ALSA CARD CREATED!
[ 12.130070] ### BCM2835 ALSA driver init OK ###
[ 12.825626] Adding 131068k swap on /var/swapfile. Priority:-1 extents:4 across:147456k SS
[ 14.499551] fuse init (API version 7.17)
Debian GNU/Linux 6.0 raspberrypi ttyAMA0

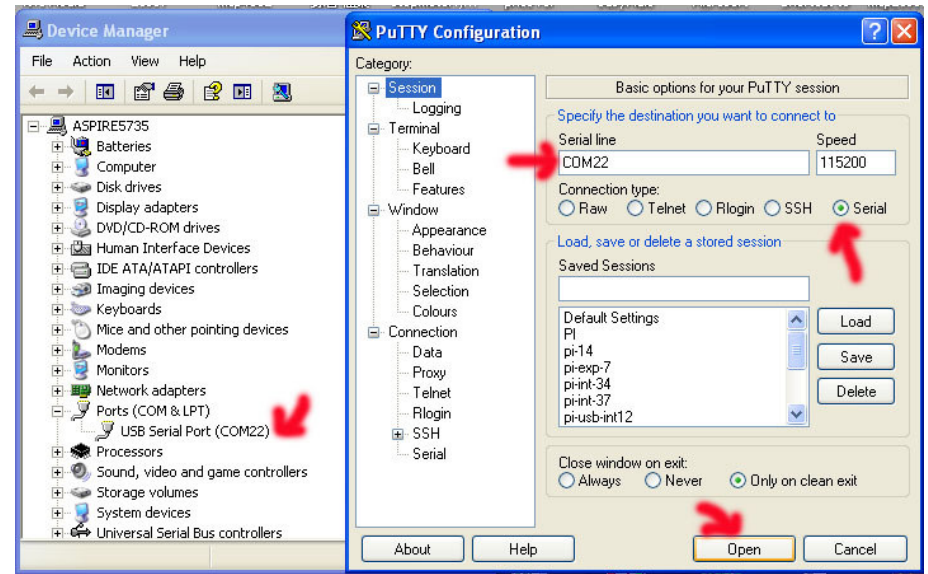
raspberrypi login: pi
Password:
Last login: Thu Jan 1 01:00:41 BST 1970 on ttyAMA0
Linux raspberrypi 3.1.9+ #138 PREEMPT Tue Jun 26 16:27:52 BST 2012 armv6l

The programs included with the Debian GNU/Linux system are free software;
the exact distribution terms for each program are described in the
individual files in /usr/share/doc/*/copyright.

Debian GNU/Linux comes with ABSOLUTELY NO WARRANTY, to the extent
permitted by applicable law.
Date and Time are unknown - using 2012-07-16 14:32 as an approximation
Correct the date and time using e.g: sudo date --set="2012-07-16 14:32"
pi@raspberrypi:~$

```

In PuTTY



Setting in Putty

Raspberry Pi Serial Port Usage

The serial port on the Raspberry Pi is configured as default for console input/output. This allows you to login and interact with the Raspberry Pi via the serial port but you cannot use the serial port with your programs.

To use the serial port with other programs and hardware such as modems, arduino boards etc you need to disable the console login.

To Disable Serial Port Login

You need to edit two files in order to use the serial port with your own programs.

When the Raspberry Pi boots, the bootup information is sent to the serial port. You can disable this by editing the **/boot/cmdline.txt** file

The contents of the file look like this

```
dwc_otg.lpm_enable=0 console=ttyAMA0,115200
kgdboc=ttyAMA0,115200 console=tty1 root=/dev/mmcblk0p2
rootfstype=ext4 elevator=deadline rootwait
```

Remove all references to ttyAMA0 so the file looks like this:

```
dwc_otg.lpm_enable=0 console=tty1 root=/dev/mmcblk0p2
rootfstype=ext4 elevator=deadline rootwait
```

Save the file to save your changes.

The second file to edit is **/etc/inittab**

Edit using: **sudo nano /etc/inittab**

The **/etc/inittab** file has the command which enables the login prompt which needs to be disabled.

Near the end of the file will be a line similar to this:

```
respawn:/sbin/getty -L ttyAMA0 115200 vt100
```

Disable this line by adding a # character to the beginning.

```
#respawn:/sbin/getty -L ttyAMA0 115200 vt100
```

Save the file.

You should then reboot your raspberry pi with the following command

```
sudo shutdown -r now
```

You can now use your serial port with other applications on your Raspberry Pi.

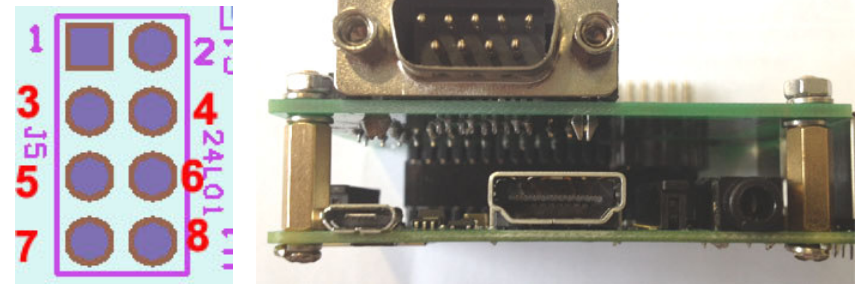
RFID socket

From pin1 (SDA,SCK,MOSI,MISO,IRQ,GND,RST,3V3

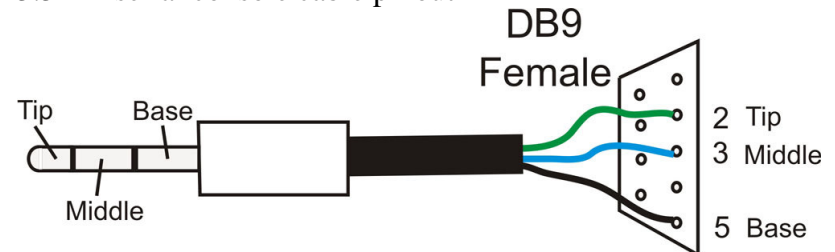


NRF24L01 socket

From pin1 (GND,3V3,GPIO25,CE0,SCLK,MOSI,MISO,X)



3.5mm serial console cable pinout



Detail information

<http://www.pridopia.co.uk/pi-com-lite-bp-e02.html>