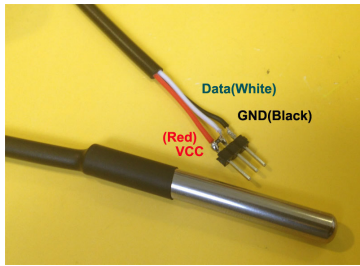
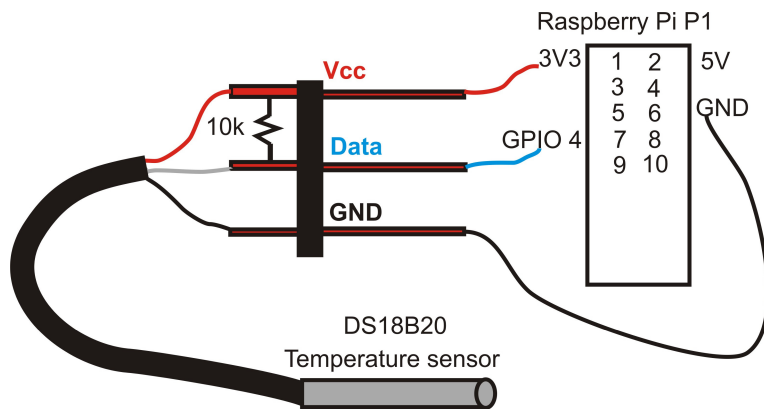


1-Wire 18B20 temp Sensor



VCC to 3.3V P1 pin1, Data to P1 pin7(GPIO4) , GND to P1 pin6(GND) Data & VCC we have one 10K SMD Resistor



This DS18B20 1-WIRE Digital Thermometer with 9 to 12 bit programmable resolution.

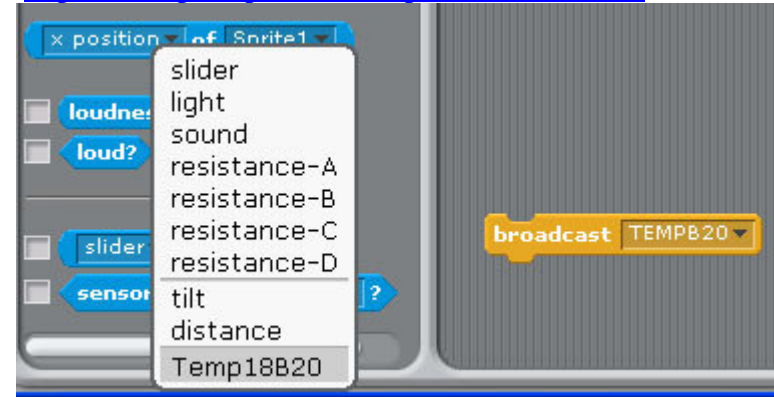
Unique 1-Wire interface only requires ONE data pin for communication

- Each device has a unique 64-bit serial number stored in an on-board ROM
- Can be powered from the data line with a power supply range of 3.0V to 5.5V in Parasite mode
- Measures temperatures from -55°C to +125°C
- ±0.5°C accuracy from -10°C to +85°C
- Thermometer resolution is user-selectable from 9 to 12 bits
- Converts temperature to 12-bit digital word in 750ms (max)

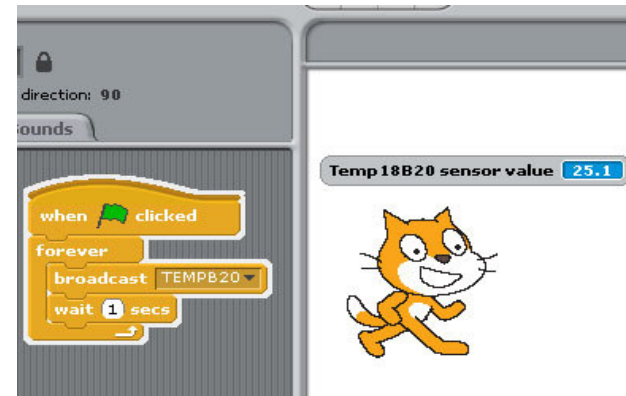
<http://www.pridopia.co.uk/pi-18b20-temp.html> python program

Pi_Scratch interface software download from our web site

<http://www.pridopia.co.uk/rs-pi-set-scratch.html>



1. Command "TEMPB20" to active 1-wire in pin7(GPIO4)
1. broadcast ""TEMPB20"
2. after broadcast in Sensing --> Slider , you will see the " Temp18B20" in the list



Minimum Requirements – a Raspberry Pi with Raspbian (wheezy) installed

Package Content

- 1x Rs-Pi 18B20 1-Wire Temp Sensor
- 3x 20cm male to male cable
- 1x manual